

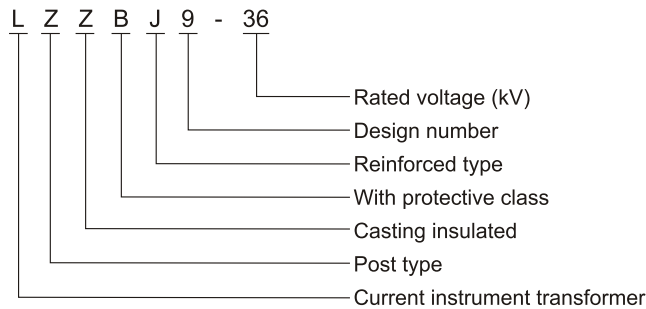
LZZBJ9-36 Current Transformer

Summary

The current instrument transformers LZZBJ9-36 are fully enclosed and cast in epoxy resin. The transformers are designed for electric power systems of rated frequency 50Hz/60Hz and rated voltage of 36kV. They are used for indoor mounting. The performances of the products meet standards IEC60044-1 and GB1208-2006. The products are used in metering electric energy, voltage controlling and relay protection applications.



Model



Technical specification

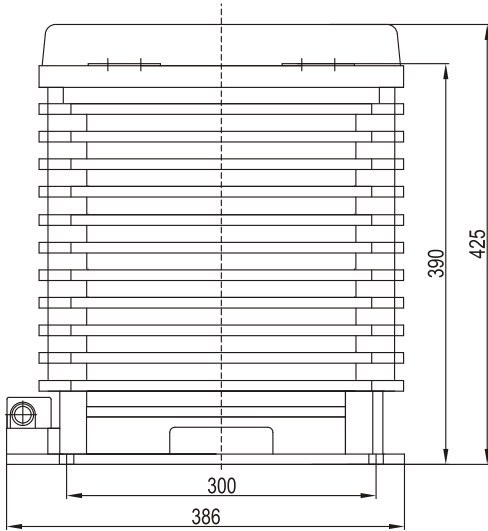
The LZZBJ9-36 is designed against pollution and condensation. There are two optional versions with different dimensions. The product is substitution to LCZ-35.

1. Rated insulation level: 40.5/95/185kV;
2. Rated secondary winding current: 5A or 1A;
3. The following table shows some other important technical data.

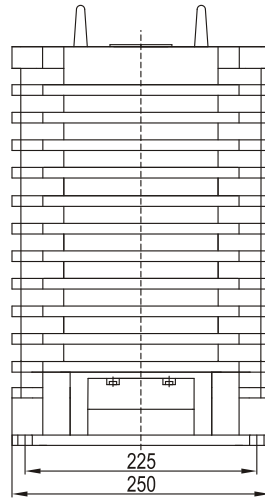
Rated primary current (A)	Accuracy class	Rated output (VA)	Rated short time thermal current	Rated dynamic current (kA)
20	0.2/10P10	30/50	6	15
30	0.5/10P10	50/50		
40	0.2/10P20	30/25	12	30
50	0.5/10P20	20/50/50		
75	0.2/0.5/10P10	20/50/25	16	40
100	0.2/0.5/10P10	20/50/50/50	25	62.5
150	0.2/0.5/10P10/10P20	30/20/50/50	32	80
200	0.5/0./10P10/10P10	20/20/50/50		
300	0.2/10P10/10P10/10P10		60	130
400				
500				
600				
750				
800				
10000				
1200				
1520				
2000				
2500				

Note: For the table above, the rated secondary current is 5 A. Actually, the product may be made to non-standard values. Please contact us for more details.

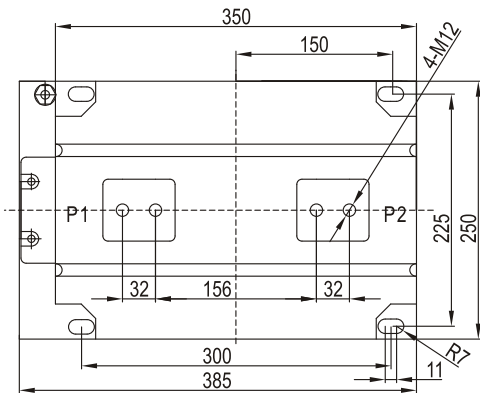
Outline dimension



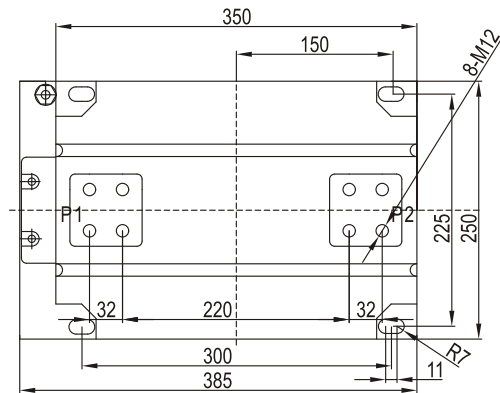
Front view



Side View



Installation Dimension
Rated current: 20-1250A



Installation Dimension
Rated current: 1500-2500A